



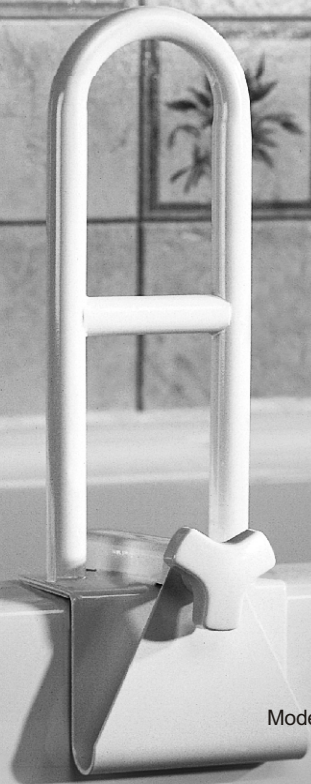
# AquaSense®

Making your bathroom a safer place

**Bathtub  
Safety Rail**

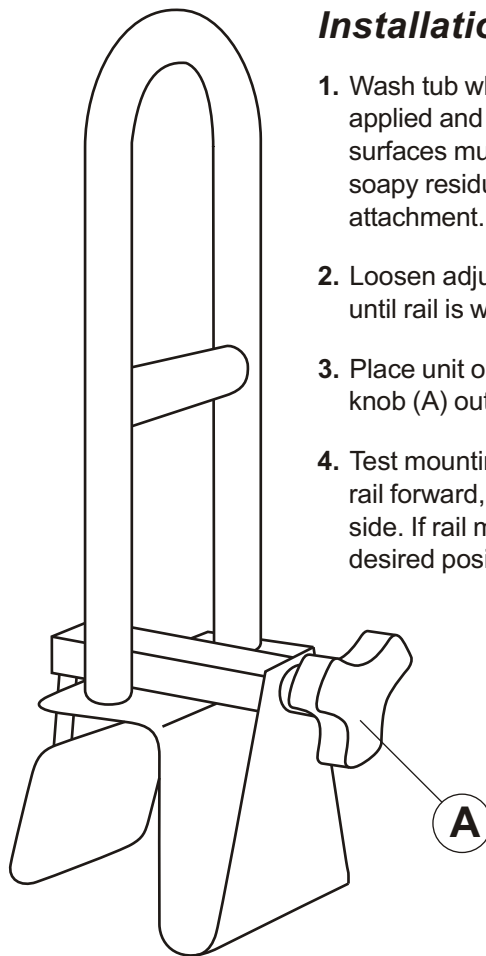
**Installation  
Instructions**

Model: 785-350



## Installation

1. Wash tub where rail is to be applied and wipe dry. All contact surfaces must be dry and free of soapy residue to assure secure attachment.
2. Loosen adjustment knob (A) until rail is wide enough to fit tub.
3. Place unit on tub with adjustment knob (A) outside tub and tighten.
4. Test mounting of unit by pulling rail forward, back, and side to side. If rail moves, replace at desired position and retighten.



## Important

Unit may require periodic retightening. Check before use and tighten if necessary.

## Caution

Use extreme care when installing rail on a fiberglass tub. Do not over tighten as the clamp may crack the tub.

