



AQUATEC® BATH LIFTS



Yes, you can.®



The *Aquatec* SP family provides **quality and durable bath lifts** that are designed to offer **comfort, safety** and reassurance to those most in need of support as they bathe.

They incorporate increased leg room, **ease of disassembly** and an **ergonomic floating hand control** that contains a **highly efficient and light weight battery**.



## Comfortable, safe and highly efficient

The *Aquatec Bath Lifts* have been designed with the user in mind, giving a comfortable and straightforward bathing experience. Key features include:

- **Reclining backrest**
- **Integrated head support**
- **Quick release hand control**
- **Battery with Sony™ technology**
- **Auto unlock for quick removal from bath**
- **Backrest recline up to 40°**
- **3 models available:**
  - R Reclining Back - **1573972**
  - SRB Special Reclining Back - **1573878**
  - XL with a weight capacity of 375 lbs. - **1573862**

The reinforced scissor mechanism on the *Aquatec Bath Lift* combines safe lifting with a compact construction while the minimum seat height of just 2 1/2" allows plenty of room for a deeper and more comfortable bath.

## Features and options



### Textured seating surface

The *Aquatec Bath Lift* has a textured surface allowing use without covers if desired. The side flaps are hinged flush to the main seating surface and allow comfortable and safe side transfers, without entrapment of skin.



### Two-piece design

When pushed forward the *Aquatec Bath Lift* backrest folds down and automatically unlocks. The backrest and base section can then be removed from the bath with ease. The two sections fit neatly into one another to give an extremely compact size for storage.



### Easy to clean

The open, clean-cut design of the *Aquatec Bath Lift* combines with its smooth surfaces to offer effortless cleaning.



---

## Accessories for *Aquatec Bath Lifts*

---



### Height adapters

The **Bath Lift** can be adapted to suit a full range of bath heights. The 0.75", 1.5" or 2.25 height adapters can be quickly fitted to the bath lift base.

**15170** Height adapter 0.75" (4 pcs.) incl. conversion kit

**14694** Height adapter 0.75" (4 pcs) Extension kit without conversion kit



### Positioning Strap

Padded, adjustable strap for the chest or waist.

**1528702**



### Transport Bag with Casters

Ideal for easy transport and storage. Complete with roller casters.

**14586AQT**

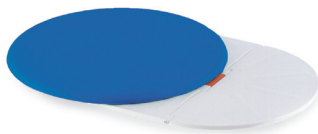


### Extra Large Suction Cups

Adapts to any of the Aquatec bath lifts. Increases the stability and allows for secure suction on treaded and uneven surfaces.

**16240AQT**

(set of 4 per set)



### Transfer Board with Rotary Disk

For easy transfers, reduced shearing and effortless turning into desired position. 300 lb. capacity.

**4.03.002** - Blue



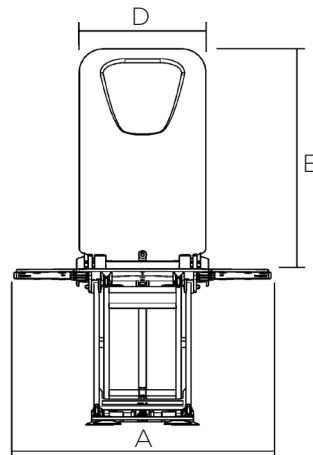
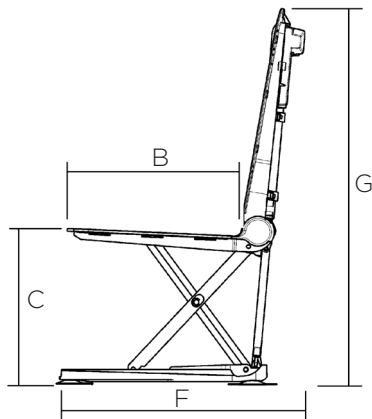
### Rotary Disk

14" diameter seat area with soft seating surface. Easy to clean, just wipe off. 300 lb. capacity.

**4.02.002** - Blue

## Technical data

	<i>Aquatec R</i>	<i>Aquatec XL</i>	<i>Aquatec SRB</i>
<b>Dimensions</b>	<b>1573972</b>	<b>1573862</b>	<b>1573878</b>
<b>Seat width without side flaps</b>	15 in / 375 mm	15 in / 375 mm	15 in / 375 mm
<b>Seat width with side flaps</b>	28 in / 715 mm (A)	28 in / 715 mm (A)	28 in / 715 mm (A)
<b>Seat depth</b>	19 in / 490 mm (B)	19 in / 490 mm (B)	19 in / 490 mm (B)
<b>Seat height max.</b>	16.5 in / 420 mm (C)	16.5 in / 420 mm (C)	16.5 in / 420 mm (C)
<b>Seat height min.</b>	2.5 in / 60 mm	2.5 in / 60 mm	2.5 in / 60 mm
<b>Width of backrest</b>	14 in / 360 mm (D)	14 in / 360 mm (D)	14 in / 360 mm (D)
<b>Height of backrest</b>	26 in / 665 mm (E)	26 in / 665 mm (E)	26 in / 665 mm (E)
<b>Total depth (backrest upright)</b>	25.5 in / 650 mm (F)	25.5 in / 650 mm (F)	25.5 in / 650 mm (F)
<b>Total depth (backrest reclined)</b>	36 in / 920 mm	36 in / 920 mm	36 in / 920 mm
<b>Total height with backrest</b>	42 in / 1075 mm (G)	42 in / 1075 mm (G)	42 in / 1075 mm (G)
<b>Base area</b>	23 in x 11.5 in / 580 x 295 mm	23 in x 11.5 in / 580 x 295 mm	23 in x 11.5 in / 580 x 295 mm
<b>Cover thickness</b>	.12 in / 3 mm	.12 in / 3 mm	.12 in / 3 mm
<b>More info</b>			
<b>Total weight without hand control</b>	24 lbs / 10.8 kg	25.5 lbs / 11.6 kg	25.5 lbs / 11.6 kg
<b>Total weight without battery pack</b>	-	-	-
<b>Weight, seat</b>	14.5 lbs / 6.6 kg	16 lbs / 7.4 kg	14.5 lbs / 6.4 kg
<b>Weight, backrest</b>	9 lbs / 4.2 kg	9 lbs / 4.2 kg	11 lbs / 5 kg
<b>Weight, hand control</b>	14 oz / 0.4 kg	14 oz / 0.4 kg	14 oz / 0.4 kg
<b>Weight, battery pack</b>	-	-	-
<b>Load capacity</b>	300 lbs / 140 kg	375 lbs / 170 kg	300 lbs / 140 kg
<b>Backrest can be reclined by up to</b>	40°	40°	40°
<b>Color</b>	Blue	White	White



**Invacare Corporation**  
www.invacare.com

**USA**  
One Invacare Way  
Elyria, Ohio  
44035-4190  
(800) 333-6900

**Canada**  
570 Matheson Blvd. E.,  
Unit 8  
Mississauga, Ontario  
L4Z 4G4 Canada  
(800) 668-5324

©2019  
Invacare Corporation.  
All rights reserved.  
Trademarks are identified  
by the symbols ™ and  
©. All trademarks are  
owned by or licensed  
to Invacare Corporation  
unless otherwise noted or  
its subsidiaries. Aquatec  
is owned by Invacare Int'l  
GmbH. Specifications are  
subject to change without  
notification.  
Form No. 19-149  
190927

**INVACARE**  
Yes, you can.®