



Aqua Creek Products

THE LEADERS IN RECREATION, FITNESS, AND ABILITY!



No Anchors Required

Item# F-12PPL-HD-AT1

The Patriot Lift is the only completely portable aquatic lift that is independently verified to meet ADA guidelines. It has a lifting capacity of 375 pounds. Our fixing kit (included) provides an ADA solution.

This lift can easily be removed from the pool side when not in use. It features a compact, low profile frame that does not intrude into the pool when not being used. The unique sliding mechanism allows the lift to be deployed and returned to the cart without fastening hardware.

Available in a variety of accent colors
(blue plastics standard)



U.S. Patent No.
7,249,386 B2

U.S. Patent No.
D507,769 S



Push lift to pool side, set brakes, slide into place, and it's ready to use.

FEATURES:

- 375 lb (170 kg) weight capacity
- Independently verified to ADA standards
- Rechargeable battery with wall mount charger
- Adjustable footrest & lap belt
- Flip-up arm rests
- Water resistant handset
- Fixing kit included
- 5 year structural warranty
- 5 year pro-rated electronics warranty

OPTIONS/ACCESSORIES:

ITEM #	DESCRIPTION
F-120PPC	Cover, standard lockable, blue
F-120PPC-T	Cover, standard lockable, tan
F-019CA	Cycle attachment
F-422PLH-2	Headrest
F-105LAR	Pull-out leg rest
F-043SCH	Solar charging station

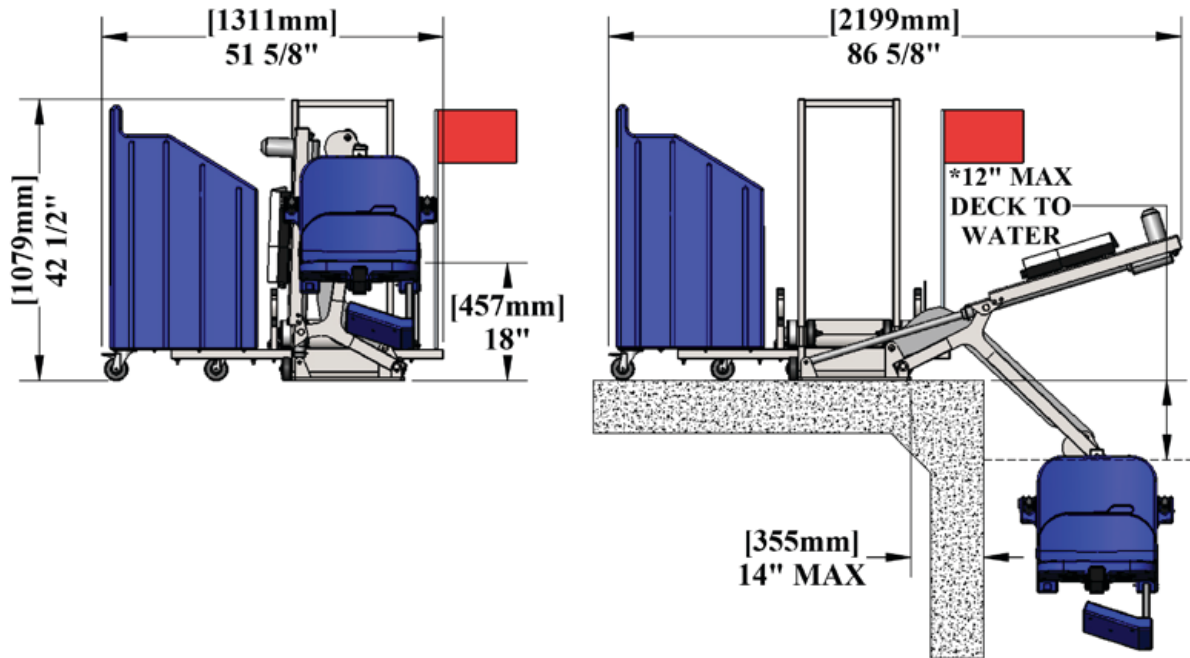


ADA COMPLIANT

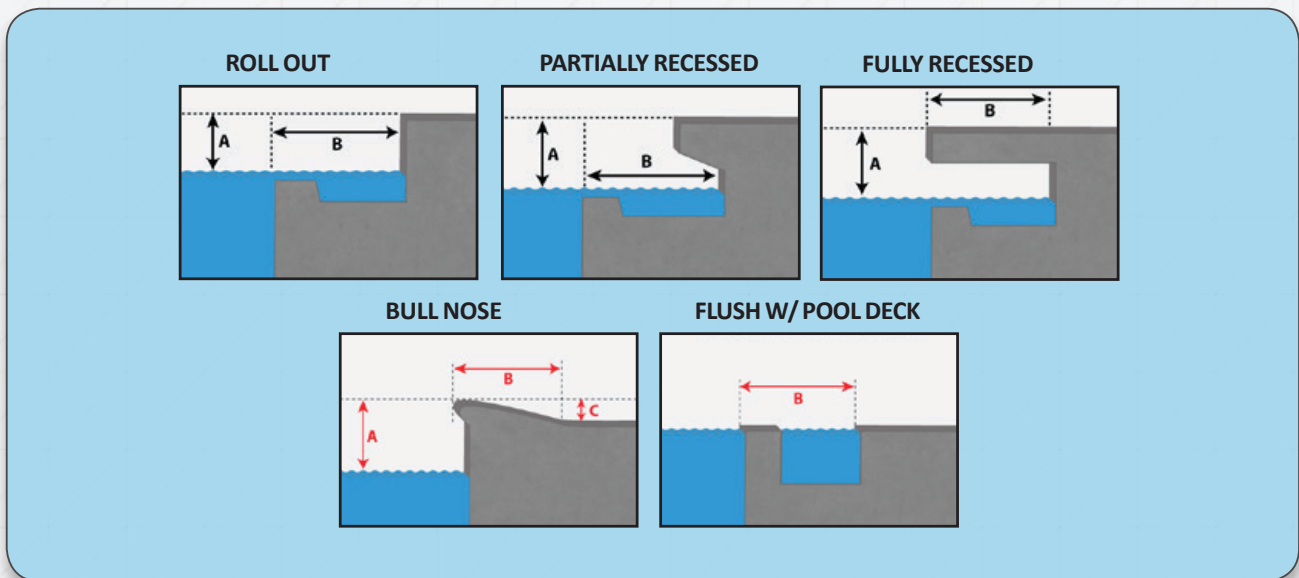
PROUDLY SOLD BY:

The Patriot Lift

PRODUCT SPECIFICATIONS



APPLICABLE POOL PROFILES



To confirm specific application go to www.aquacreek.com for our **Pool Lift Selector**



Become a member of our new **Dealer and Architect** page. Access to CAD blocks, CSI specs and sales materials.